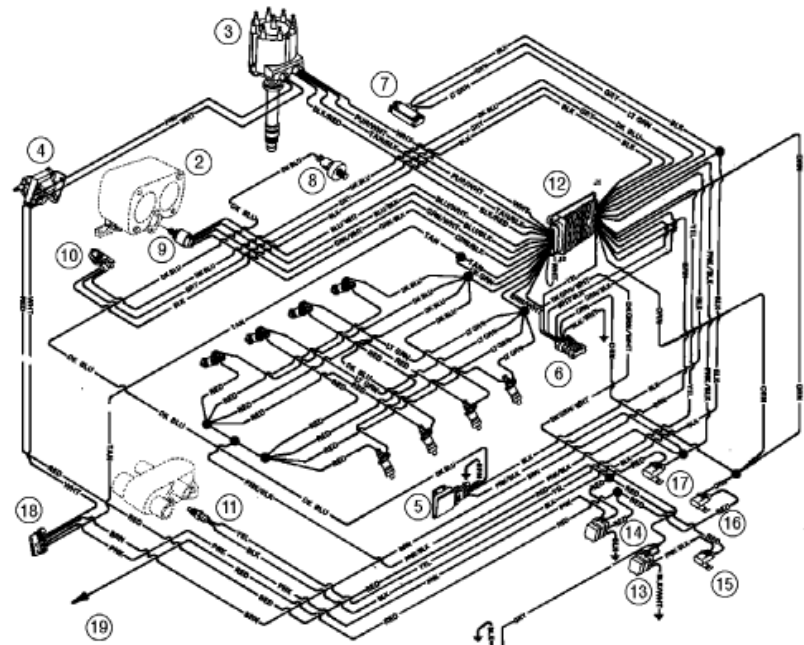


Parts List



- 1 - Fuel Pump
- 2 - Throttle Body
- 3 - Distributor
- 4 - Coil
- 5 - Electronic Spark Control (KS) Module
- 6 - Data Link Connector (DLC)
- 7 - Manifold Absolute Pressure (MAP) Sensor
- 8 - Knock Sensor
- 9 - Idle Air Control (IAC)
- 10 - Throttle Position (TP) Sensor
- 11 - Engine Coolant Temperature (ECT) Sensor
- 12 - Electronic Control Module (ECM)
- 13 - Fuel Pump Relay
- 14 - Ignition/System Relay
- 15 - Fuse (15 Amp) Fuel Pump
- 16 - Fuse (15 Amp) ECM/DLC/Battery
- 17 - Fuse (10 Amp) ECM/Injector/Ignition/Knock Module
- 18 - Harness Connector To Starting/Charging Harness
- 19 - Positive (+) Power Wire To Engine Circuit Breaker

Ref	Class	Part	Description	Qty	Comment	Footnote
-	84	860226A 2	WIRING HARNESS-Engine	1		3